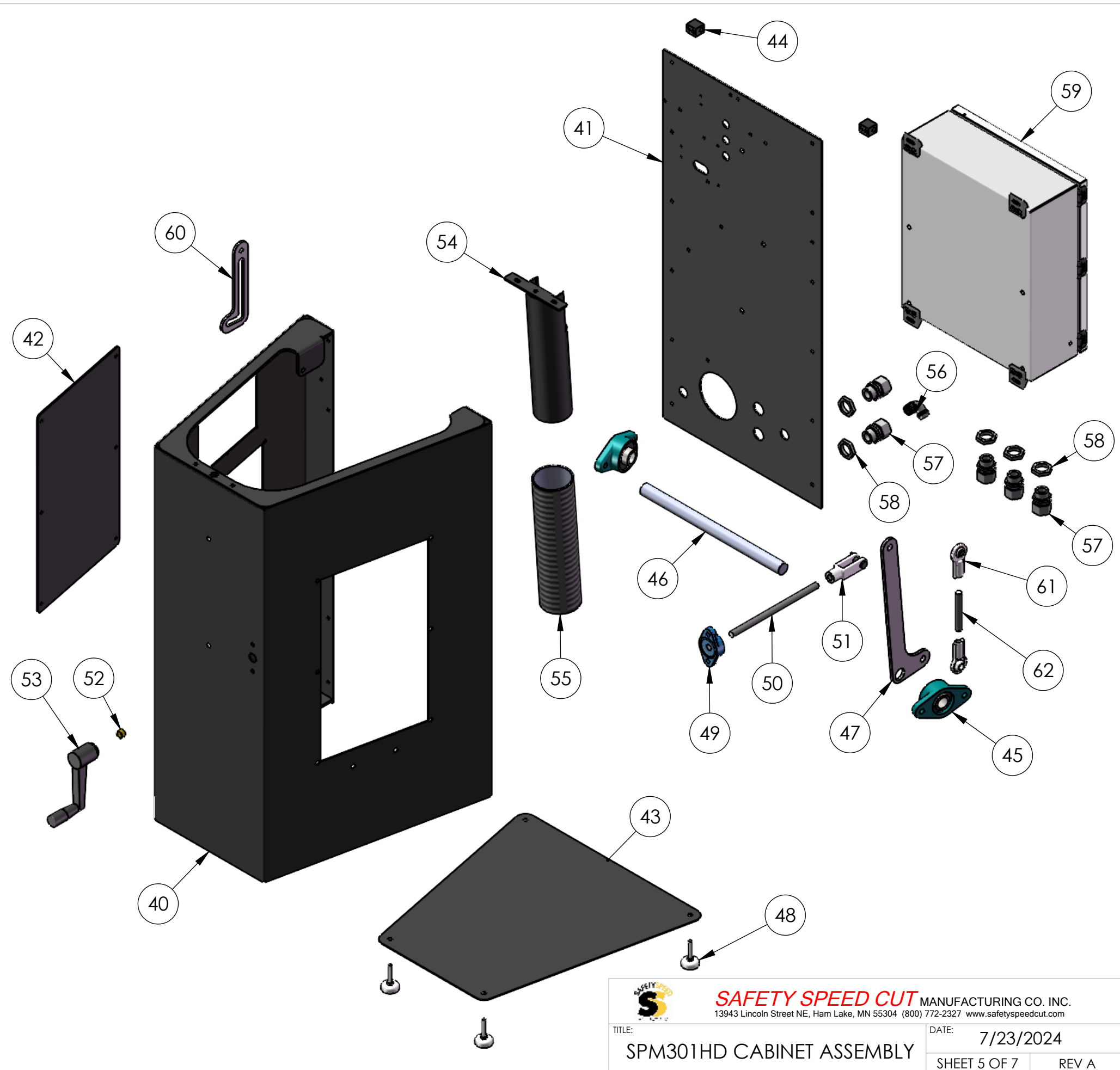
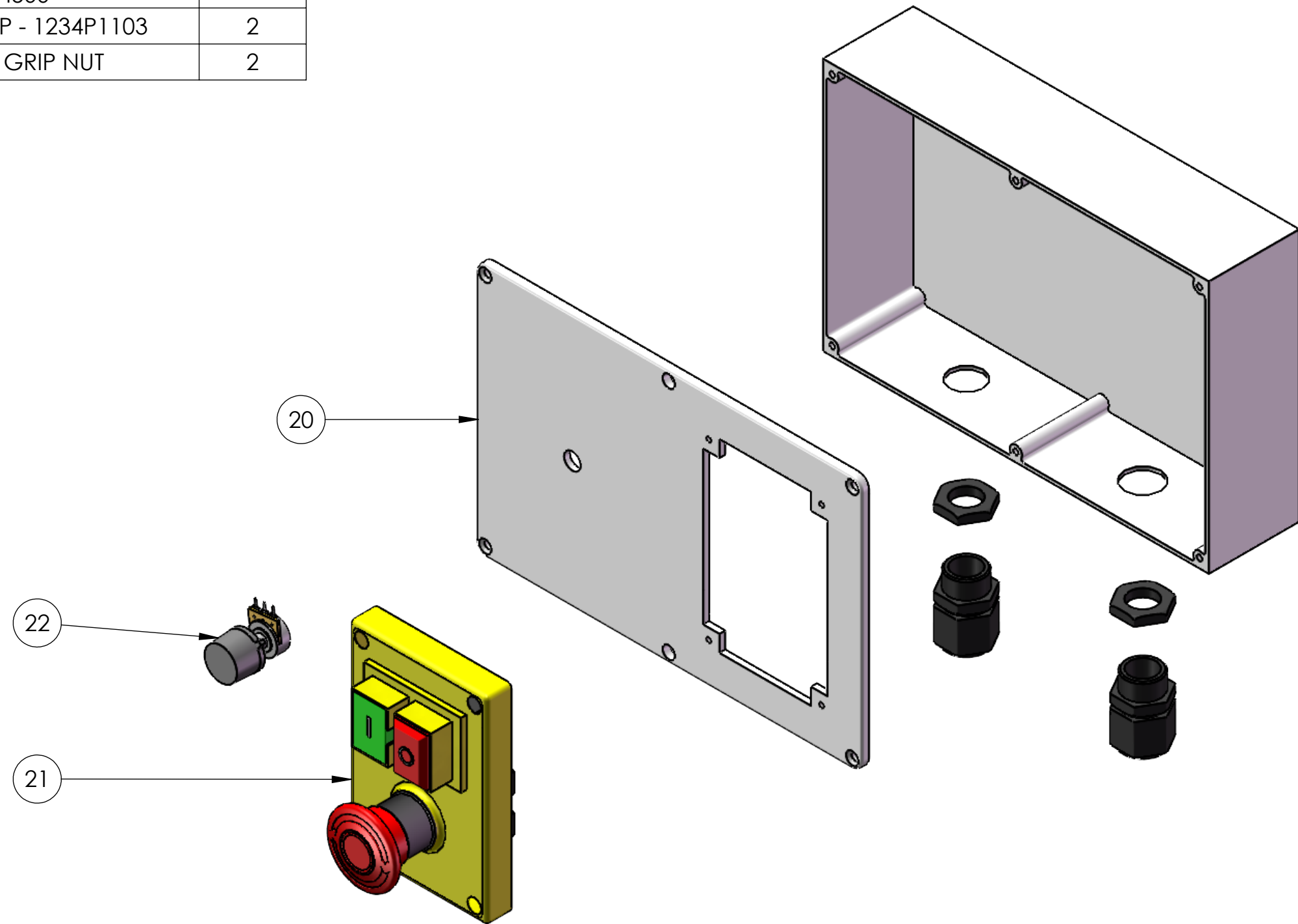


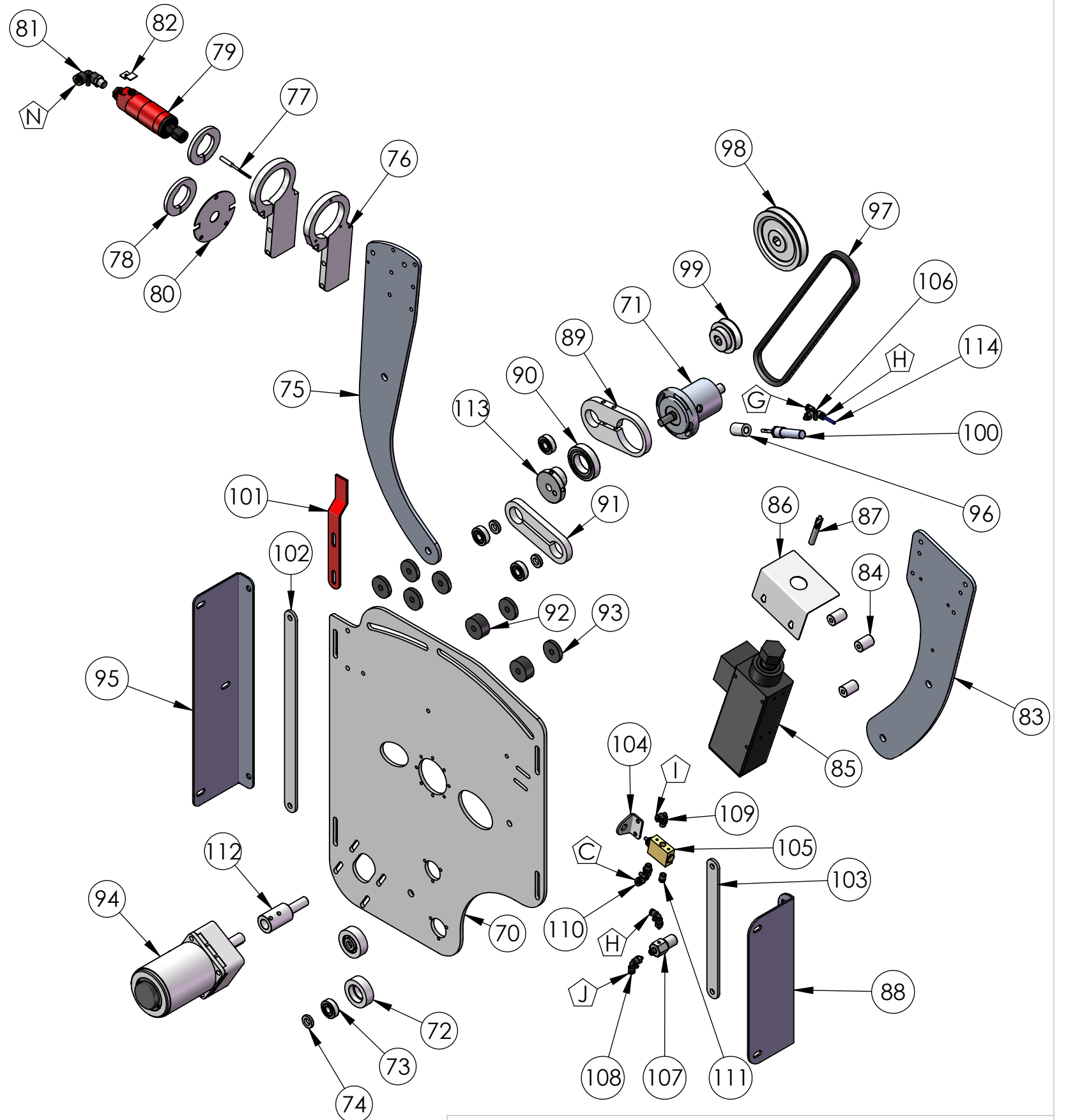
ITEM NO.	PART NUMBER	DESCRIPTION	
40	PH 241	CABINET COMPLETE	1
41	PH223	CABINET BACK	1
42	PH 253	POCKET HOLE ACCESS PANELS	2
43	PH221	CABINET BOTTOM	1
44	PH 212	HINGE - UNTHREADED	2
45	PH105	2 BOLT FLANGE	2
46	PH 219	1" HEIGHT ADJUSTMENT ROD	1
47	PH 228	HEIGHT ADJUSTMENT ARM	1
48	PH103	LEVELING FOOT	4
49	PH104	2 BOLT FLANGE	1
50	THREADED ROD-C	CRANK HANDLE THREADED ROD	1
51	PH108	CLEVIS END ROD	1
52	PH114	BRNZE BRG SLEEVE - HANDLE	1
53	PH110	ADJUSTABLE CRANK HANDLE (6129K3)	1
54	PH244	PH DUST TUBE ASSEMBLY	1
55	PH244H	3" X 3' DUST HOSE - ONLY	1
56	PH503	3/8" ELBOW LIQUID TIGHT CONDUIT	1
57	PS471	CORD GRIP ONLY	5
58	PS462-NUT	CORD GRIP NUT	5
59	PH512	SCE-1614ELJ	1
60	PH 231	LID HOLDER	1
61	PH117	STAMPED ROD ENDS	2
62	THREADED ROD-C	ROD END THREADED ROD	1
63	PH245	1" SHAFT COLLAR - HEIGHT ADJUST	1



ITEM NO.	PART NUMBER	DESCRIPTION	QTY.
20	PH508_COVER	CONTROL ELECTRICAL BOX/COVER	1
21	PS958	POWER SWITCH -120V	1
22	PH500_POTENTIOMETER	STANDARD POTENTIOMETER - SEE PH500	1
23	PP7	CORD GRIP - 1234P1103	2
24	PP7-NUTS	CORD GRIP NUT	2



ITEM NO.	PART NUMBER	DESCRIPTION	QTY.
70	PH 237	FRAME PLATE	1
71	PH239	CLUTCH ASSEMBLY	1
72	PH209	ARM BEARING HOUSING	1
73	PH102	6201RS-8 BEARING	5
74	PH 208	ARM BEARING SPACER	4
75	PH 232	DRILL ARM	1
76	PH204	DRILL MOUNT	2
77	PH119	DRILL BIT	1
78	PH545	AIR DRILL ADAPTOR RING	2
79	PH537	SIOUX AIR DRILL	1
80	PH544	AIR DRILL OIL SHIELD	1
81	PH535	MALE ELBOW Ø3/8" - 1/4" NPT	1
82	PH543	AIR DRILL TRIGGER LOCK	1
83	PH 234	ROUTER ARM	1
84	PH546	SPINDLE MOUNTING SPACERS	3
85	PH538	SPINDLE MTR-CABLE-STRAIN RELIEF	1
86	PH548	SPINDLE DUST SHIELD	1
87	PH125	HD ROUTER BIT - 3 FLUTE (SRU320RUF)	1
88	PH 224	FRAME MOUNT - FRONT	1
89	PH202	DRILL PITMAN ARM	1
90	PH101	DRILL PITMAN ARM BEARING	1
91	PH203	DRILL PITMAN ARM	1
92	PH 211	ARM GUIDE - THICK	2
93	PH 210	ARM GUIDE - THIN	6
94	PH500 OR PH500-18	ORIENTAL DRIVE MOTOR	1
95	PH 227	FRAME MOUNT - BACK	1
96	PH407-CYL-ADP	PH CLYLINDER ADAPTOR	1
97	PH416A	V BELT (4L340) NEW STYLE	1
98	PH115B	PULLEY WHEEL (AK44-5/8")	1
99	PH115A	PULLEY WHEEL (AK22-5/8")	1
100	PH407	SS CYLINDER (SRR-08-1/2)	1
101	PH 225	HEIGHT INDICATOR BAR	1
102	PH 201	FRAME NUT - LONG	1
103	PH 200	FRAME NUT	1
104	PH419	ANGLE BRACKET	1
105	PH400	3 WAY VALVE (FV-3P)	1
106	PH431	T FITTING Ø5/32" - #10-32	1
107	PH401	PULSE VALVE 1/8" INLET	1
108	PH417	MALE ELBOW Ø5/32" - #10-32	2
109	PH420	MALE ELBOW Ø5/32" - 1/8" NPT	1
110	PH416	MALE ELBOW Ø1/4" - 1/8" NPT	1
111	PH422	BREATHER VENT - 1/8" NPT	1
112	PH 249	SHAFT EXTENSION	1
113	PH246	CAM	1
114	* PH441	Ø5/32 HOSE - 6.5"	1



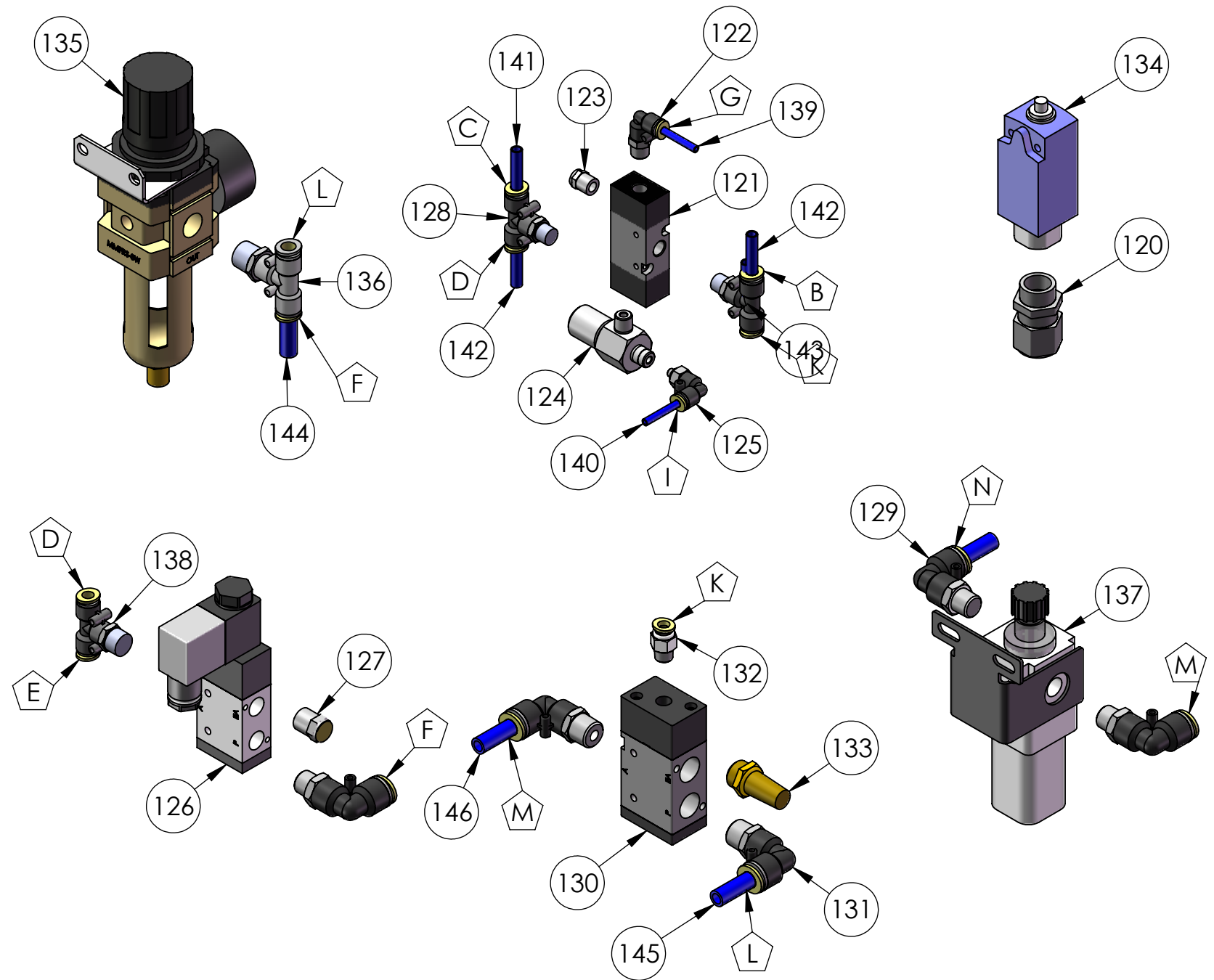
NOTE: ◊ LETTERS REPRESENT PNEUMATIC CONNECTIONS

* PH441 - ONE LENGTH OF Ø5/32" HOSE LONG ENOUGH TO REPLACE ENTIRE MACHINE

 SAFETY SPEED CUT MANUFACTURING CO. INC. 13943 Lincoln Street NE, Ham Lake, MN 55304 (800) 772-2327 www.safetyspeedcut.com	TITLE: SPM301HD FRAME PLATE ASSEMBLY		DATE: 7/23/2024
	SHEET 6 OF 7		REV A

ITEM NO.	PART NUMBER	DESCRIPTION	QTY.
120	PS462	CORD GRIP ONLY (1234M2002)	1
121	PH429	3 WAY DOUBLE VALVE - 1/8" NPT	1
122	PH420	MALE ELBOW Ø5/32" - 1/8" NPT	1
123	PH422	BREATHER VENT - 1/8" NPT	1
124	PH432	PULSE VALVE - 1/8" NPT	1
125	PH417	MALE ELBOW Ø5/32" - #10-32	1
126	PH406	3 WAY SOLENOID - 1/4" NPT	1
127	PH423	BREATHER VENT - 1/4" NPT	1
128	PH434	T FITTING Ø1/4" - 1/8" NPT	2
129	PH535	MALE ELBOW Ø3/8" - 1/4" NPT	3
130	PH529	3 WAY PILOT SPRING - 3/8" NPT	1
131	PH534	MALE ELBOW Ø3/8" - 3/8" NPT	2
132	PH412	MALE CONNECTOR Ø1/4" - 1/8" NPT	1
133	PH530	MUFFLER - 3/8" NPT	1
134	PH515B	PUSH BUTTON SWITCH (XCKD280N12)	1
135	PH527	REGULATOR - 3/8" NPT	1
136	PH533	T FITTING Ø 3/8"- 3/8" NPT	1
137	PH532	OILER - 1/4" NPT	1
138	PH410_REPLACEMENT	T FITTING Ø1/4" - 1/4" NPT	1
139	* PH441	Ø5/32" HOSE - 28"	1
140	* PH441	Ø5/32" HOSE - 26.5"	1
141	* PH440	Ø1/4" HOSE - 29"	1
142	* PH440	Ø1/4" HOSE - 11.25"	2
143	* PH440	Ø1/4" HOSE - 7.5"	1
144	*PH531	Ø3/8" HOSE - 6"	1
145	*PH531	Ø3/8" HOSE - 17"	2
146	*PH531	Ø3/8" HOSE - 20"	1

NOTE: ◊ LETTERS REPRESENT PNEUMATIC CONNECTIONS



* PH440 - ONE LENGTH OF Ø1/4" HOSE LONG ENOUGH TO REPLACE ENTIRE MACHINE
 * PH441 - ONE LENGTH OF Ø5/32" HOSE LONG ENOUGH TO REPLACE ENTIRE MACHINE