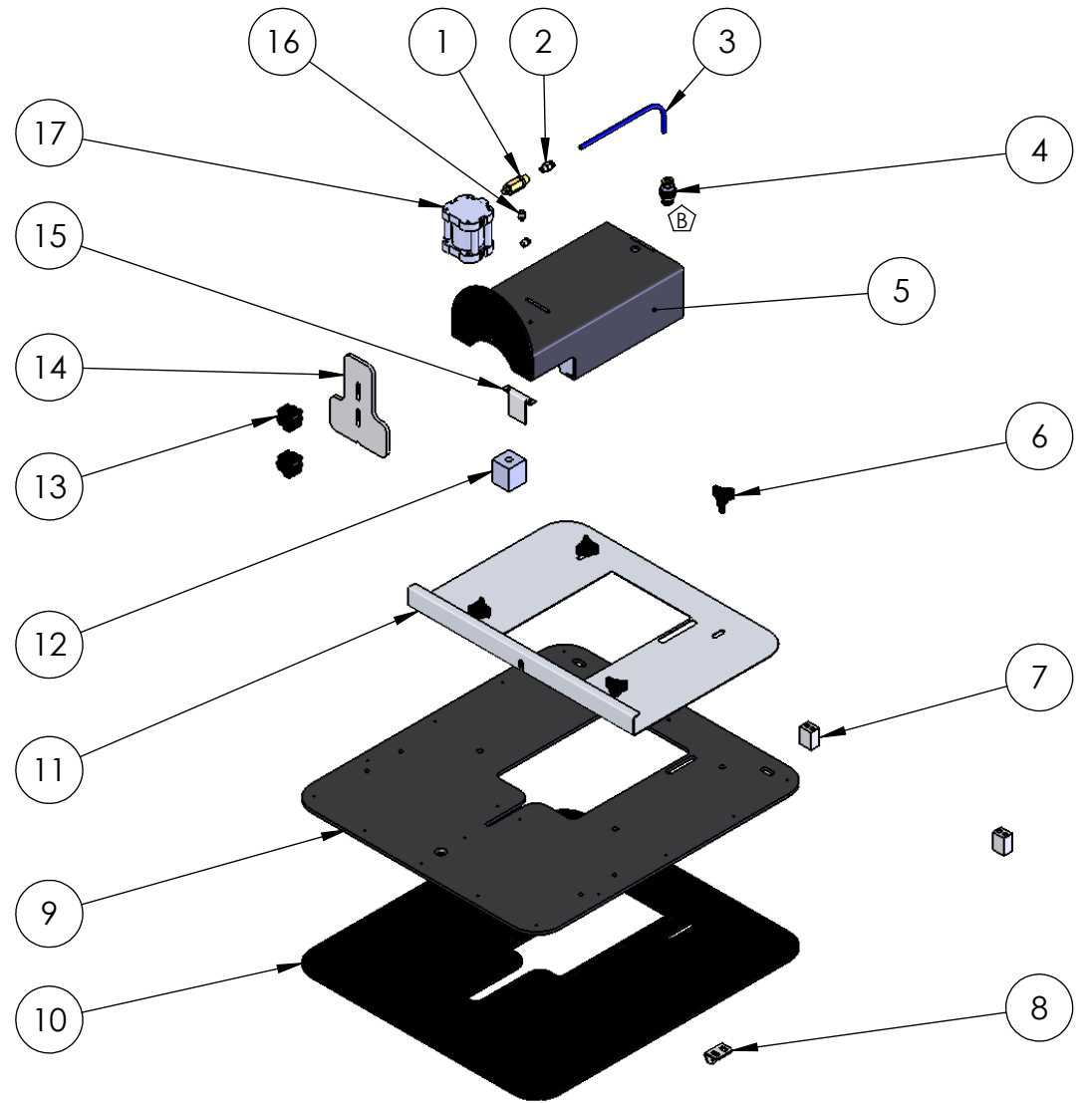


ITEM NO.	PART NUMBER	DESCRIPTION	QTY.
1	PH403	J-SeriesQ-Exhaust	1
2	PH412	Male Connector 1/4" - 1/8" NPT	1
3	* PH440	HOSE 10.5in	1
4	PH414	Bulkhead Union - 1/4"	1
5	PH240	CLAMP GAURD / SHROUD COMPLETE	1
6	PH 109	KNOB / FENCE	4
7	PH 213	HINGE - THREADED	2
8	PH 206	LID BRACKET	1
9	PH 215	TOP PLASTIC / BLACK	1
10	PH 238	TOP STEEL	1
11	PH 218	FENCE	1
12	PH 250B	MATERIAL PRESSURE FOOT - SQUARE	1
13	PH 107	CLEAR GAURD KNOBS	2
14	PH 214	GAURD / CLEAR	1
15	PH254	MATL. PRESSURE FOOT STOP	1
16	PH422	1/8" NPT Breather Vent	2
17	PH408	STROKE CYLINDER	1

NOTE: □ LETTERS REPRESENT PNEUMATIC CONNECTIONS



*PH440 - ONE LENGTH OF 1/4" HOSE LONG ENOUGH TO REPAIR ENTIRE MACHINE

SAFETY SPEED MANUFACTURING CO. INC.
13943 Lincoln Street NE, Ham Lake, MN 55304 (800) 772-2327 www.safetyspeed.com

TITLE:

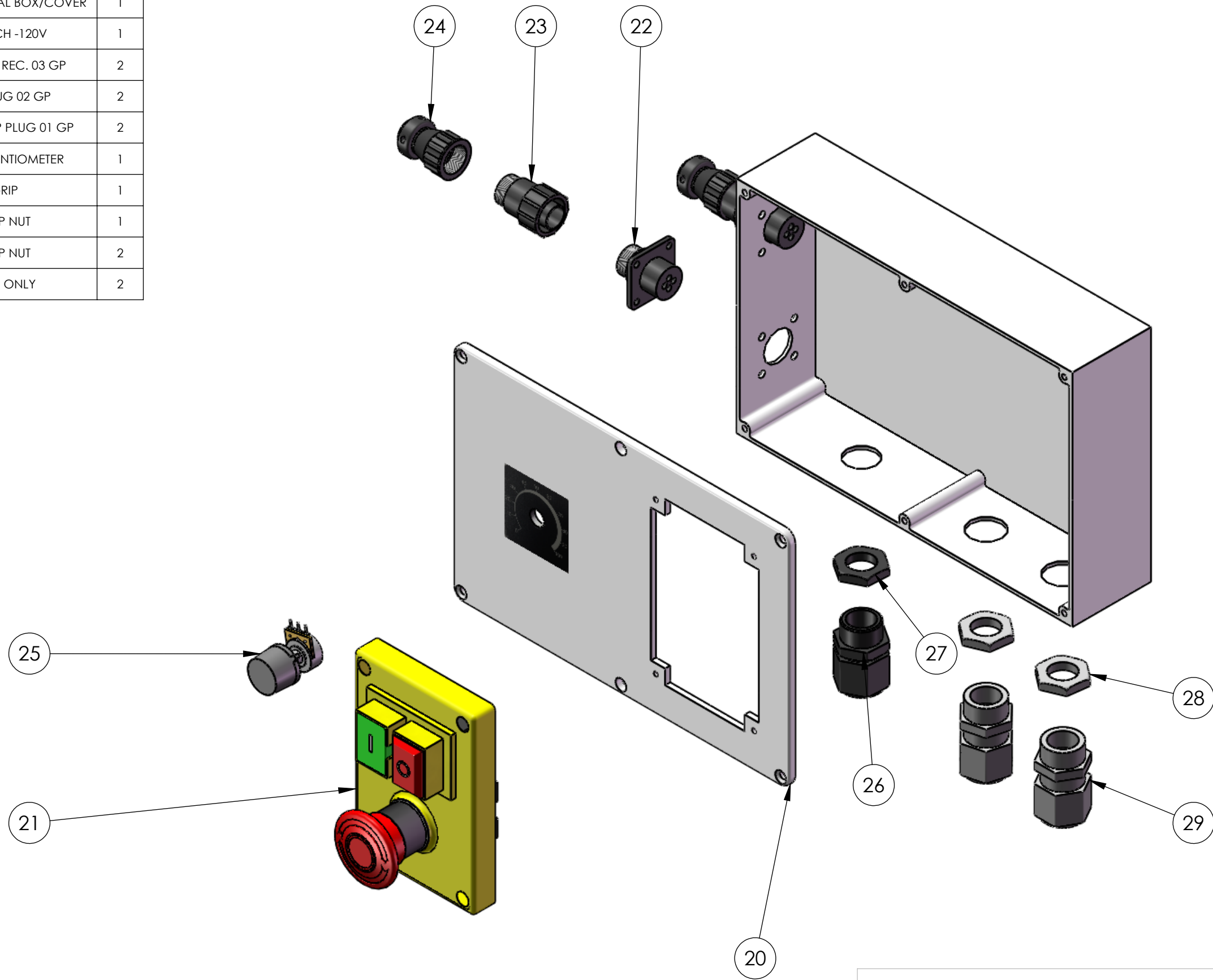
SPM TOP ASSEMBLY

DATE:

SHEET 1 OF 1

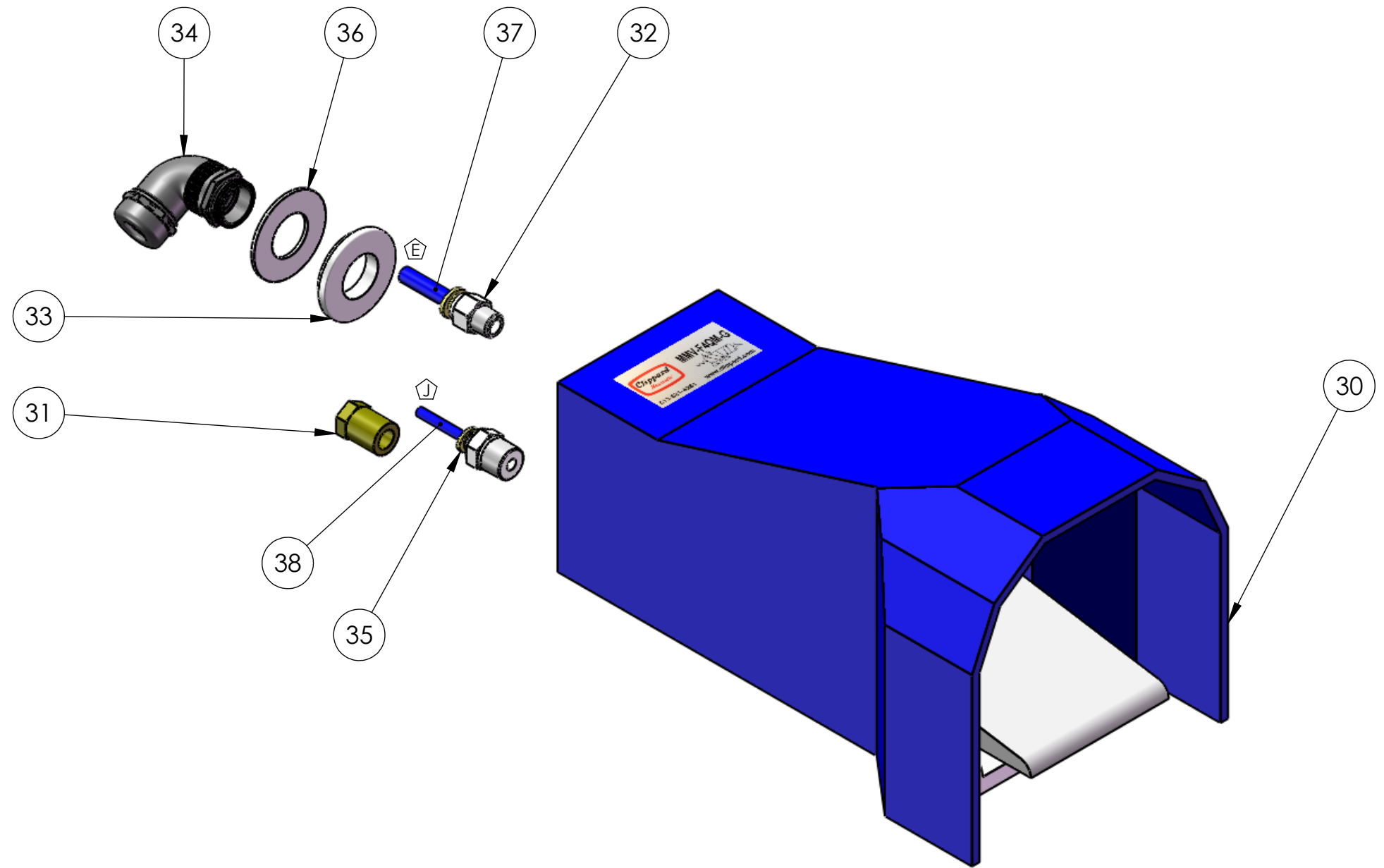
REV A

ITEM NO.	PART NUMBER	DESCRIPTION	QTY.
20	PH508	CONTROL ELECTRICAL BOX/COVER	1
21	PS958	POWER SWITCH -120V	1
22	EB 108	EB ROUTER PLUG REC. 03 GP	2
23	EB 107	EB ROUTER PLUG 02 GP	2
24	EB 106	EB ROUTER CLAMP PLUG 01 GP	2
25	POTENTIOMETER	STANDARD POTENTIOMETER	1
26	PP7	CORD GRIP	1
27	PP7-NUTS	CORD GRIP NUT	1
28	PS462-NUT	CORD GRIP NUT	2
29	PS462	CORD GRIP ONLY	2



ITEM NO.	PART NUMBER	DESCRIPTION	QTY.
30	PH405	4 WAY VALVE WITH FOOT GAURD	1
31	PH421	Hex Head Plug (218P-4)	1
32	PH412	Male Connector 1/4" - 1/8" NPT	1
33	PH 251	FOOT PEDAL WASHER	1
34	PH503	3/8" 90 DEG. LIQ.-TIGHT CONN.	1
35	PH411	Male Connector 5/32"-1/4"NPT	1
36	FOOT PEDAL WASHER	3/4" SAE WASHER	1
37	* PH440	HOSE 80in	1
38	* PH441	HOSE 85in	1

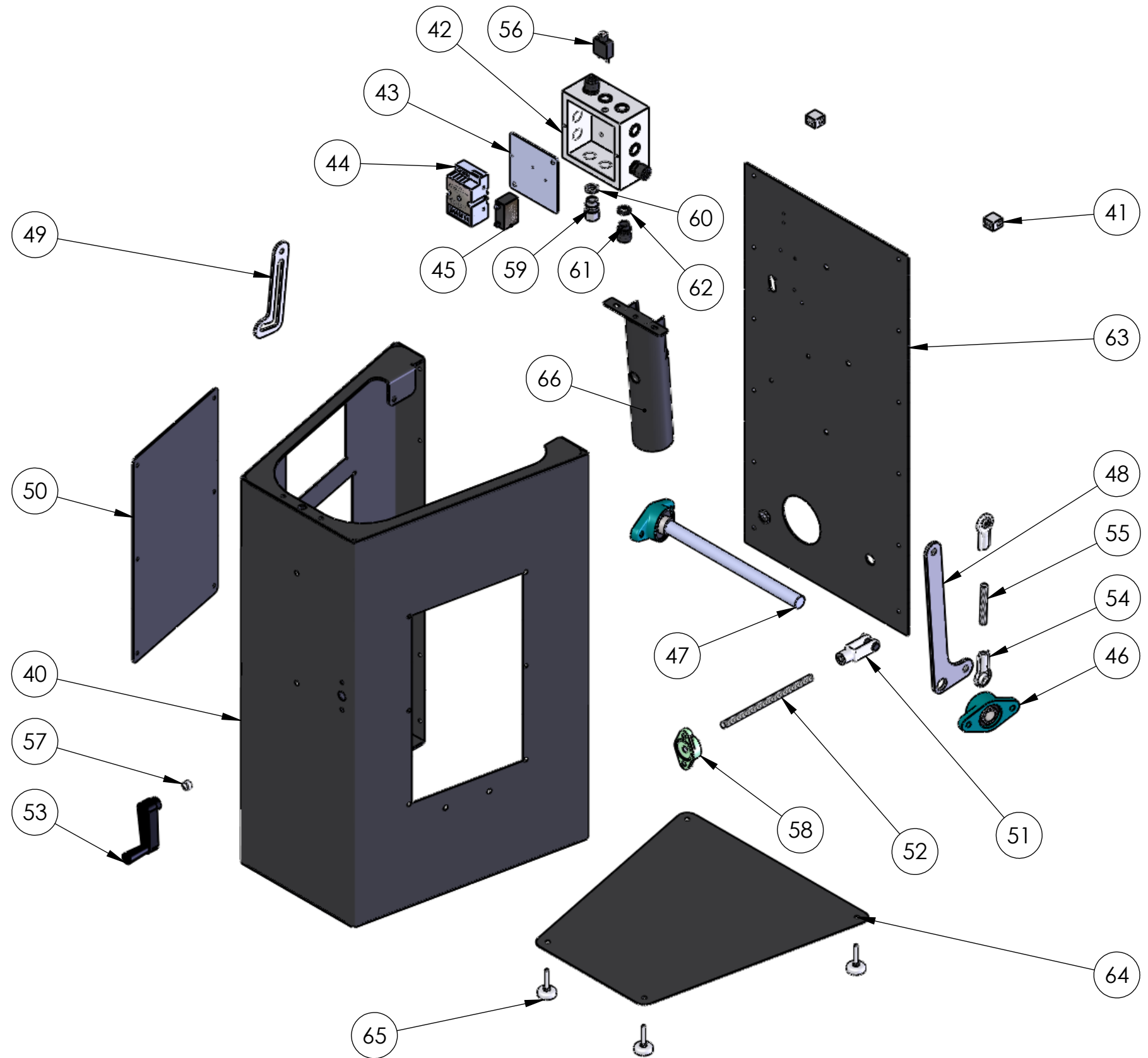
NOTE: ◊ LETTERS REPRESENT PNEUMATIC CONNECTIONS



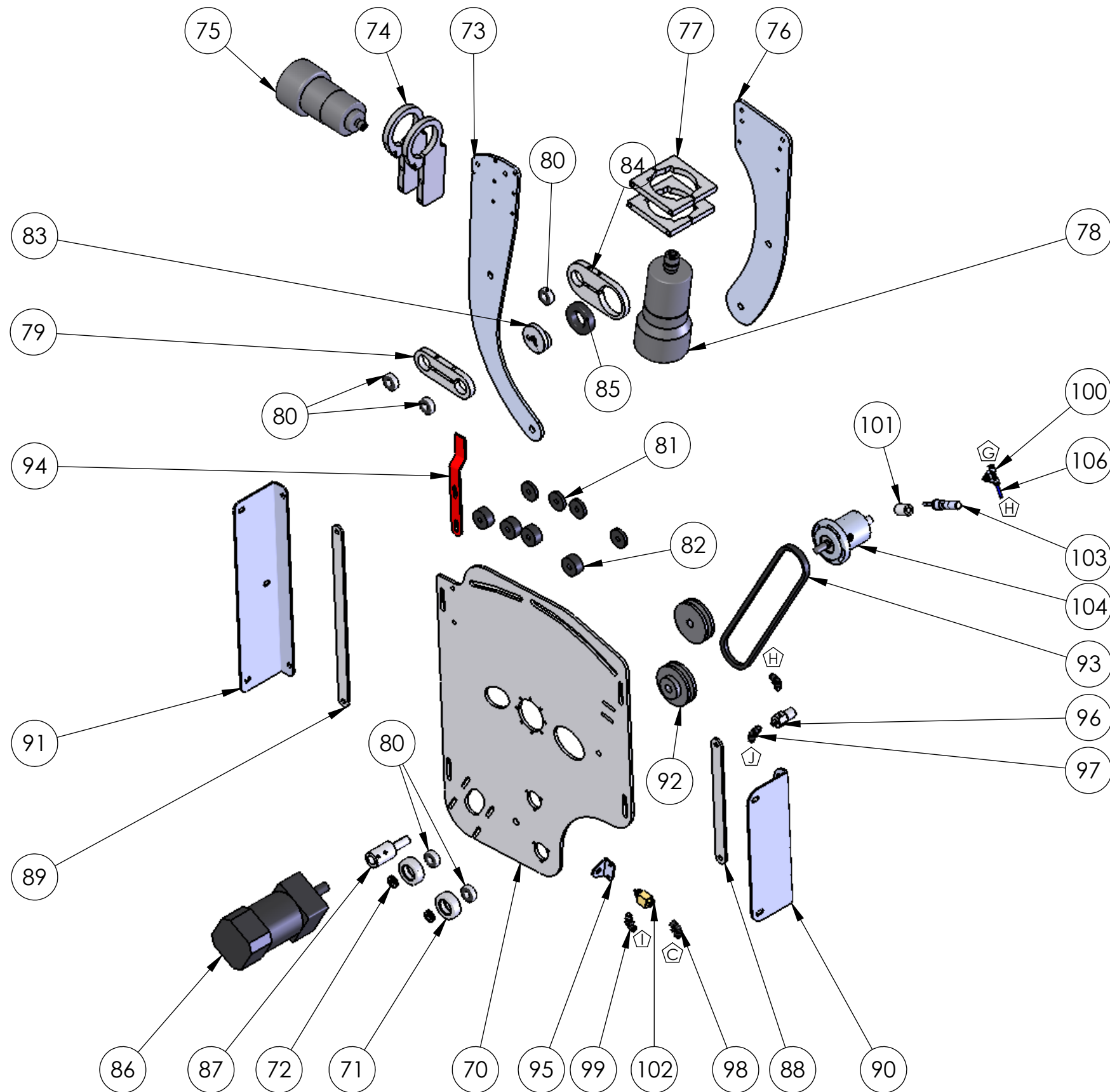
* PH440 - ONE LENGTH OF 1/4" HOSE LONG ENOUGH TO REPLACE ENTIRE MACHINE

* PH441 - ONE LENGTH OF 5/32" HOSE LONG ENOUGH TO REPLACE ENTIRE MACHINE

ITEM NO.	PART NUMBER	DESCRIPTION	QTY.
40	PH241	CABINET	1
41	PH 212	HINGE - UNTHREADED	2
42	PH509	6" x 6" x 3" Main Box	1
43	PH252	PH - ELECTRICAL PLATE	1
44	SPEED CONTROL	INCLUDED WITH PART PH500	1
45	CAPACITOR	INCLUDED WITH PART PH500	1
46	PH105	2 Bolt Flange	2
47	PH 219	1" HEIGHT ADJUSTMENT ROD	1
48	PH 228	HEIGHT ADJUSTMENT ARM	1
49	PH 231	LID HOLDER	1
50	PH 253	POCKET HOLE ACCESS PANELS	2
51	PH108	CLEVIS END ROD	1
52	THREADED ROD-C	CRANK HANDLE THREADED ROD	1
53	PH110	ADJUSTABLE CRANK HANDLE	1
54	PH 117	STAMPED ROD ENDS	2
55	THREADED ROD-C	ROD END THREADED ROD	1
56	PH424	10 AMP CIRCUIT BREAKER	1
57	PH114	BRNZE BRG SLEEVE - HANDLE	1
58	PH104	2 BOLT FLANGE	1
59	PS462	CORD GRIP ONLY	2
60	PS462-NUT	CORD GRIP NUT	2
61	PP7	CORD GRIP	3
62	PP7-NUTS	CORD GRIP NUT	3
63	PH 223	CABINET BACK	1
64	PH 221	CABINET BOTTOM	1
65	POCKET HOLE LEVELING FOOT		4
66	PH244	PH DUST TUBE ASSEMBLY	1



ITEM NO.	PART NUMBER	DESCRIPTION	QTY.
70	PH 237	FRAME PLATE	1
71	PH 209	ARM BEARING HOUSING	2
72	PH 208	ARM BEARING SPACER	2
73	PH 232	DRILL ARM	1
74	PH 204	DRILL MOUNT	2
75	PH 111	DRILL ROUTER MOTOR	1
76	PH 234	ROUTER ARM	1
77	PH 205	ROUTER MOUNT	4
78	PH 112	BORING ROUTER MOTOR	1
79	PH 203	ROUTER PITMAN ARM	1
80	PH102	DRILL PITMAN ARM 2 BEARING	5
81	PH 210	ARM GUIDE - #2	4
82	PH 211	ARM GUIDE #1	4
83	PH 246	CAM	1
84	PH 202	DRILL PITMAN ARM	1
85	PH 101	DRILL PITMAN ARM BEARING	1
86	PH500	GEAR MOTOR / SPEED CONTROL	1
87	PH 249	SHAFT EXTENSION	1
88	PH 200	FRAME NUT	1
89	PH 201	FRAME NUT LONG	1
90	PH 224	FRAME MOUNT - FRONT	1
91	PH 227	FRAME MOUNT BACK	1
92	PH 115	PULLEY WHEEL	2
93	PH116	V BELT	1
94	PH 225	HEIGHT ADJUSTER IND. BAR	1
95	PH419	Angle Bracket	1
96	PH401	Pulse Valve 1/8" Inlet	1
97	PH417	Male Elbow 5/32" - #10-32	2
98	PH416	Male Elbow 1/4" - 1/8" NPT	1
99	PH420	Male Elbow 5/32" NPT 1/8"	1
100	PH431	5/32"10 -32T FITTING	1
101	CYLINDER ADAPTER	PART OF PH239	1
102	PH400	3-WAY VALVE	1
103	PH407	SS AIR CYLINDER	1
104	PH239	CLUTCH ASSEMBLY COMPLETE (INCLUDES 83 & 101)	1
106	* PH441	HOSE 6.5in	1



* PH441 - ONE LENGTH OF 5/32" HOSE LONG ENOUGH TO REPAIR ENTIRE MACHINE

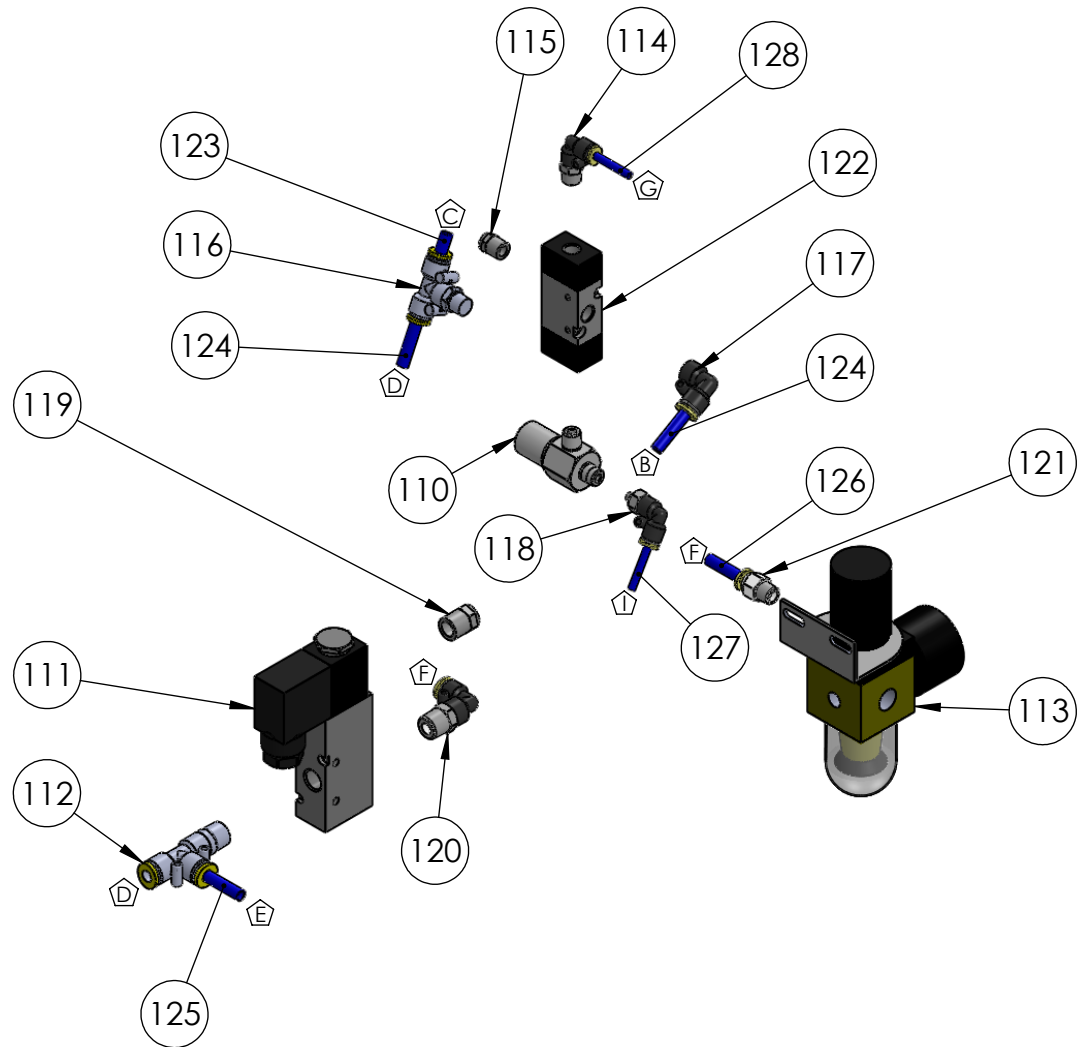
NOTE: ◊ LETTERS REPRESENT PNEUMATIC CONNECTIONS

SAFETY SPEED MANUFACTURING CO. INC.
13943 Lincoln Street NE, Ham Lake, MN 55304 (800) 772-2327 www.safetyspeed.com

TITLE:	DATE:
FRAME PLATE ASSEMBLY	
SHEET 1 OF 1	REV A

ITEM NO.	PART NUMBER	DESCRIPTION	QTY.
110	PH432	Pulse Valve 1/8"NPT	1
111	PH406	1/4"NPT3WaySol	1
112	PH410	"T" 1/4"- 1/4"NPT	1
113	PH404	1/4"NPTStackFil/Reg	1
114	PH420	Male Elbow 5/32" NPT 1/8"	1
115	PH422	1/8" NPT Breather Vent	1
116	PH434	T Fitting 1/4"X 1/8"	1
117	PH416	Male Elbow 1/4" - 1/8" NPT	1
118	PH417	Male Elbow 5/32" - #10-32	1
119	PH423	1/4" NPT Breather Vent	1
120	PH413	Male Elbow 1/4" - 1/4" NPT	1
121	PH412	Male Connector 1/4" - 1/8" NPT	1
122	PH429	3 Way Double Valve	1
123	* PH440	HOSE - 29in	1
124	* PH440	HOSE 11.25in	2
125	* PH440	HOSE 9in	1
126	* PH440	HOSE 7.5in	1
127	* PH441	HOSE 26.5in	1
128	* PH441	HOSE - 28in	1

NOTE: ◊ LETTERS REPRESENT PNEUMATIC CONNECTIONS



* PH440 - ONE LENGTH OF 1/4" HOSE LONG ENOUGH TO REPAIR ENTIRE MACHINE
 * PH441 - ONE LENGTH OF 5/32" HOSE LONG ENOUGH TO REPAIR ENTIRE MACHINE

 SAFETY SPEED MANUFACTURING CO. INC. 13943 Lincoln Street NE, Ham Lake, MN 55304 (800) 772-2327 www.safetyspeed.com	
TITLE:	DATE:
AIR FITTING ASSEMBLY- ATTACHED TO CABINET BACK	
SHEET 1 OF 1	REV B